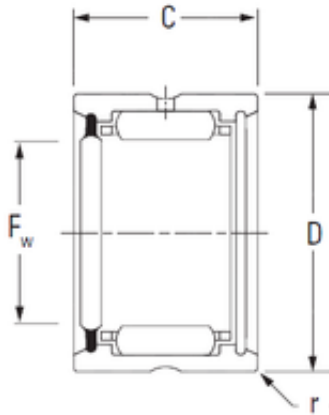




Lokong Bearing Co., Ltd.

55175C/55433D Double Row Tapered Roller Bearing 44.45x109.982x63.497mm

Bearing No. HJ-202820RS



HJ-202820RS Bearing 2D drawings and 3D CAD models

Size	31.75x44.45x31.75 mm
Bore Diameter	31,75 mm
Outer Diameter	44,45 mm
Width	31,75 mm
Fw	31,75 mm
D	44,45 mm
C	31,75 mm
r5 min.	1,02 mm
Weight	0,15 Kg
Basic dynamic load rating (C)	37,4 kN
Basic static load rating (C0)	57,4 kN
Category	Needle Non Thrust Roller Bearings
Inventory	0.0
Manufacturer Name	KOYO
Minimum Buy Quantity	N/A
Weight / Kilogram	0.15
Product Group	B04144
Rolling Element	Needle Roller Bearing
Component	Roller Assembly with Outer Ring - No Inner Ring
Enclosure	1 Seal
Self Aligning	No
Retainer	Yes
Number of Rows of Rollers	Single Row



Lokong Bearing Co., Ltd.

Separable	No
Closed End	No
Inch - Metric	Inch
Relubricatable	Yes
Thrust Bearing	No
Long Description	1-1/4" Bore; 1-3/4" Outside Diameter; 1-1/4" Width; Needle Roller Bearing; Roller Assembly with Outer Ring - No Inner Ring; 1 Seal Enclosure; No Self Aligning; Yes Retainer; Single Row
Other Features	2 Rib Outer Ring Steel Cage Heavy Duty Oil Hole
Category	Needle Non Thrust Roller Bearing
UNSPSC	31171512
Harmonized Tariff Code	8482.40.00.00
Noun	Bearing
Keyword String	Needle
Manufacturer URL	http://www.koyousa.com
Manufacturer Item Number	HJ-202820RS
Weight / LBS	0.32
Width	1.25 Inch 31.75 Millimeter
Outside Diameter	1.75 Inch 44.45 Millimeter
Bore	1.25 Inch 31.75 Millimeter