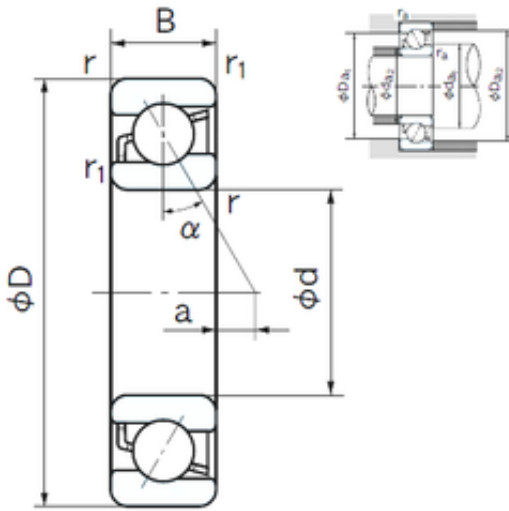




Lokong Bearing Co., Ltd.



30 mm x 62 mm x 16 mm Tapered Roller Bearings 33017 85X130X36MM

Bearing No. 7206B

7206B Bearing 2D drawings and 3D CAD models

Size	30x62x16 mm
Bore Diameter	30 mm
Outer Diameter	62 mm
Width	16 mm
d	30 mm
D	62 mm
B	16 mm
C	16 mm
Angle (°)	40 °
a	11.3 mm
r min.	1 mm
r1 min.	0.6 mm
da min.	36 mm
Da max.	56 mm
ra max.	1 mm
Weight	0.210 Kg
Basic dynamic load rating (C)	21,2 kN
Basic static load rating (C0)	13,9 kN
(Grease) Lubrication Speed	8500 r/min
Category	Angular Contact Ball Bearings
Inventory	0.0
Manufacturer Name	NACHI
Minimum Buy Quantity	N/A
Weight / Kilogram	0.209



Lokong Bearing Co., Ltd.

EAN	4991893838732
Product Group	B00308
Enclosure	Open
Flush Ground	No
Rolling Element	Ball Bearing
Number of Rows of Balls	Single Row
Precision Class	ABEC 1 ISO P0
Maximum Capacity / Filling Slot	No
Snap Ring	No
Cage Material	Steel
Contact Angle	40 Degree
Internal Clearance	C0-Medium
Number of Bearings	1 (Single)
Inch - Metric	Metric
Long Description	30MM Bore; 62MM Outside Diameter; 16MM Width; Open; No Flush Ground; Ball Bearing; Single Row of Balls; ABEC 1 ISO P0; No Filling Slot; No Snap Ring
Category	Angular Contact Ball Bearing
UNSPSC	31171531
Harmonized Tariff Code	8482.10.50.28
Noun	Bearing
Keyword String	Angular Contact
Manufacturer URL	http://www.nachi.com
Manufacturer Item Number	7206 B BNLS
Weight / LBS	0.46
Width	0.63 Inch 16 Millimeter
Outside Diameter	2.441 Inch 62 Millimeter
Bore	1.181 Inch 30 Millimeter
Configuration	Single Row



Lokong Bearing Co., Ltd.

Bore Type	Cylindrical Bore
Bore Size	30 mm
Fillet Radius/Chamfer	1 mm
r1	0.6 mm
Dynamic Load Rating	21,200 N
Static Load Rating	13,900 N
Limiting Speed - Grease	8,500 rpm
Limiting Speed - Oil	12,000 rpm
da1 (min)	36 mm
da2 (min)	33 mm
Da1 (max)	56 mm
Da2 (max)	58.4 mm
ra (max)	1 mm
ra1 (max)	0.6 mm